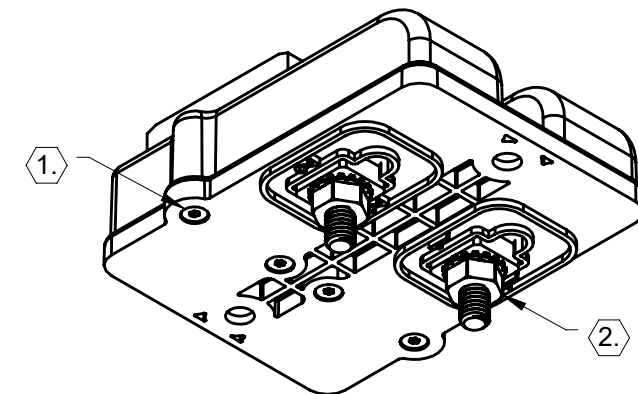
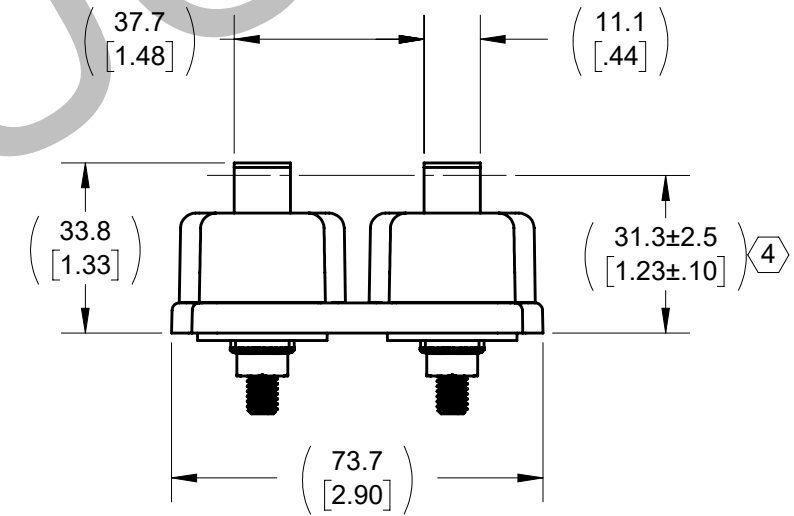
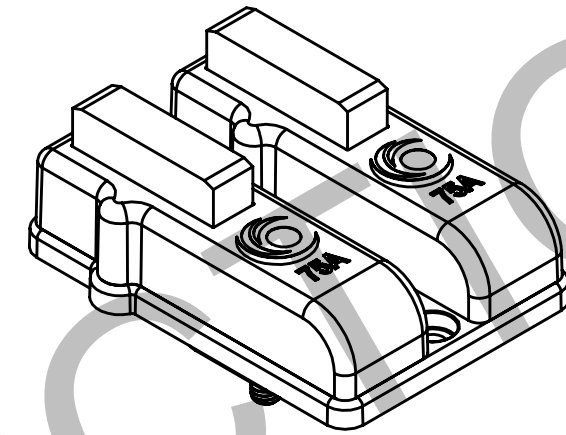
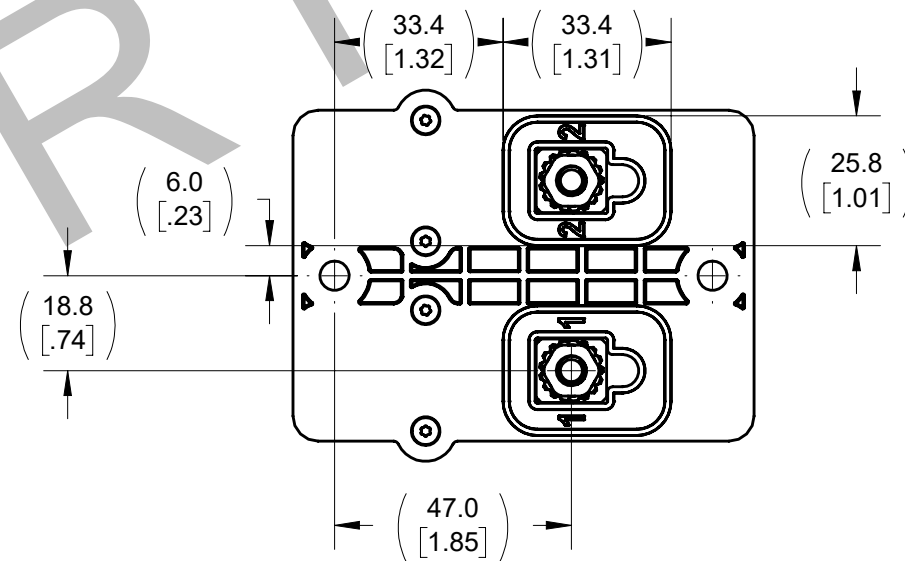
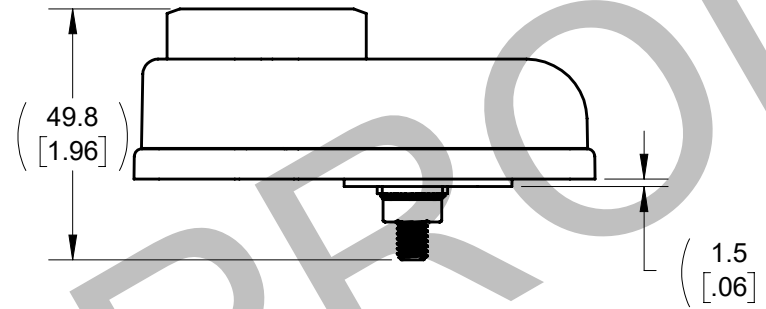
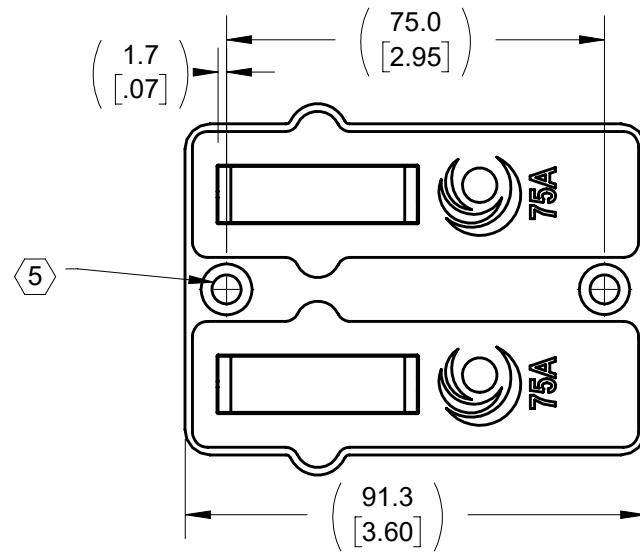
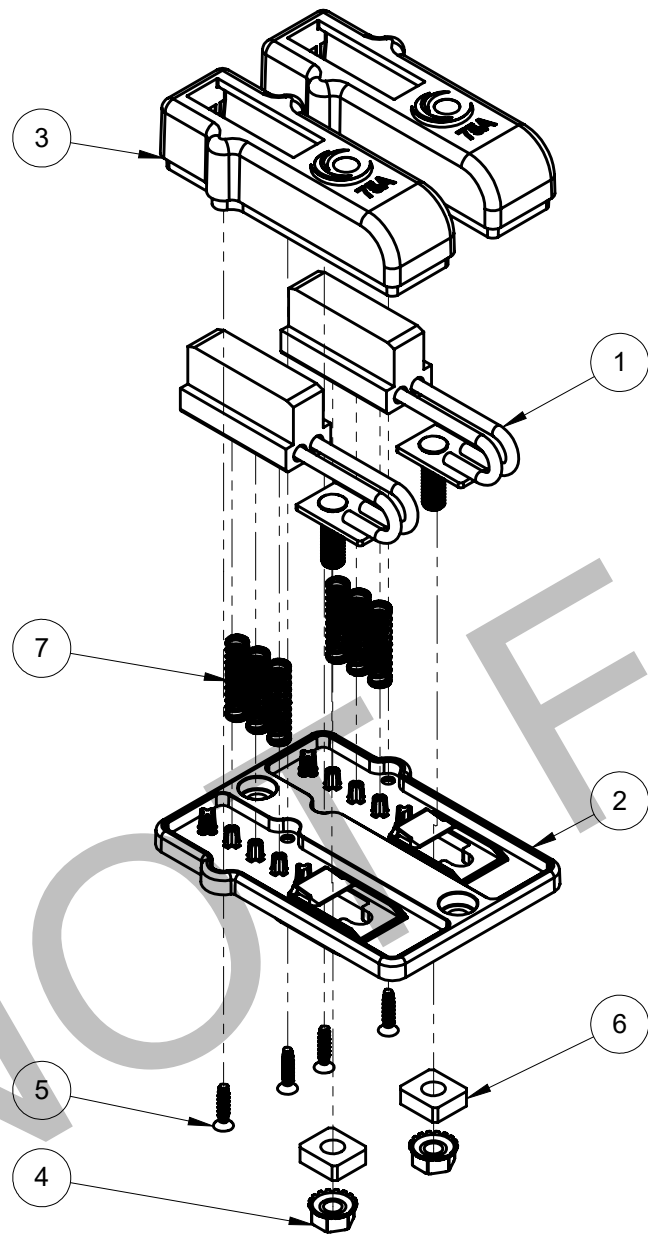


NOTES:

- 1. TORQUE BRUSH COVER SCREWS TO 1.2 N-m (11 IN-LBS.).
- 2. TORQUE POWER TERMINAL M6 NUTS TO 5.7 N-m (50 IN-LBS.) (AT INSTALLATION).
- 3. SPECIFICATIONS  
RATING: UL 583, 75A CONTINUOUS,  
60VDC (25VAC) MAX  
POSITIONING TOLERANCE +/-: X=5MM;  
Y=5MM; Z=2.5MM
- 4. TARGET MOUNTING DISTANCE AT MID-STROKE. BRUSHES SHOWN WITH 0.5MM PRELOAD.
- 5. MOUNTING HARDWARE: M5 SOCKET HEAD CAP SCREW.



ITEM	MATERIAL NO. 2	DESCRIPTION	QTY.	UNIT
7	XA-598862	SPRING COMPRESSION .24 OD X .17 ID X 1.0	6	PC
6	XA-594129	SPACER TERMINAL MCC LUG	2	PC
5	XA-591656	SCREW 4-20 X .50 LG THD ROLL PLSTC SST	4	PC
4	XA-104380	NUT M6-1.00 HEX KEPS SST	2	PC
3	XA-601404	HOUSING COLLECTOR 75A NANO+	2	PC
2	XA-601402	COVER MOUNT DOUBLE 75A NANO+	1	PC
1	XA-601277	BRUSH ASSEMBLY 75A NANO+	2	PC

STATUS: PRE-RELEASED		DESCRIPTION: COLLECTOR ASSY DOUBLE 75A NANO+	
ER NO.	ECO-49916	UNLESS OTHERWISE SPECIFIED	PROPRIETARY AND CONFIDENTIAL
ER DATE:	10/07/2022	INTERPRET GEOMETRIC TOLERANCING	
ER ENGR:	J SMITH	PER: ASME Y14.5	
ER APPR:	D SAMPSON	PRIMARY UNITS ARE IN MM KG SECONDS	
		SECONDARY UNITS IN INCH LB SECONDS	
DRAWN:	J SMITH	TOLERANCES ARE AS FOLLOWS:	
APPR:	D SAMPSON	DECIMAL =	
		X: ±2.5 MM [0.1 IN]	
		X.X: ±0.8 MM [0.03 IN]	
		X.XX: ±0.25 MM [0.010 IN]	
		ANG: ±1°	
		THREAD CLASS: 6G EXTERNAL / 6H INTERNAL	
		ALL DIMENSIONS GREATER THAN 600MM HAVE A TOLERANCE OF: ±2MM UNLESS OTHERWISE SPECIFIED	
		MATERIAL NO. 2: XA-CCC075A2W0	
SIZE B		SCALE: 2:3	WEIGHT(REF): 0.29 KG
		MATL:	

10102 F Street  
Omaha, NE 68127  
800-521-4888

REV 0

SHEET 1 of 1